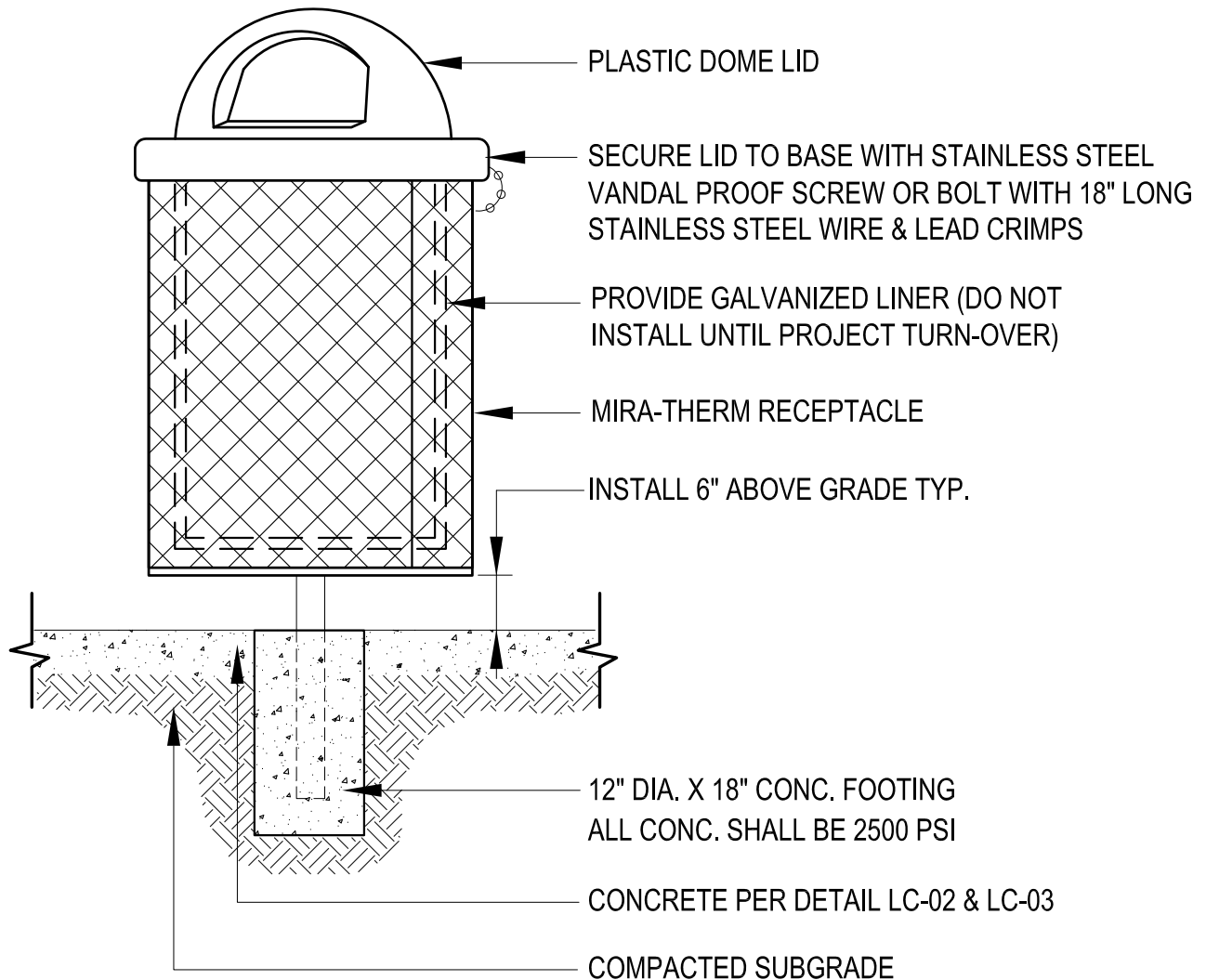


# MIRA-THERM RECEPTACLE

MODEL #1129



## NOTES:

CONTACT MIRACLE RECREATION @ (800) 264-7225

ALL RECEPTACLES MUST HAVE A 4' X 4' MIN. CONCRETE PAD 4" THICK PER DETAIL LC-02

PROVIDE RECYCLE CONTAINER LID WHEN SPECIFIED

ALL TRASH RECEPTACLES SHALL BE FOOTING MOUNT

LD Consulting 2012 (Any deviation or reproduction of this design must be approved in writing by Valley-Wide Recreation & Park District)



VALLEY-WIDE RECREATION & PARK DISTRICT

TRASH RECEPTACLE

LC-27

REV. 2012