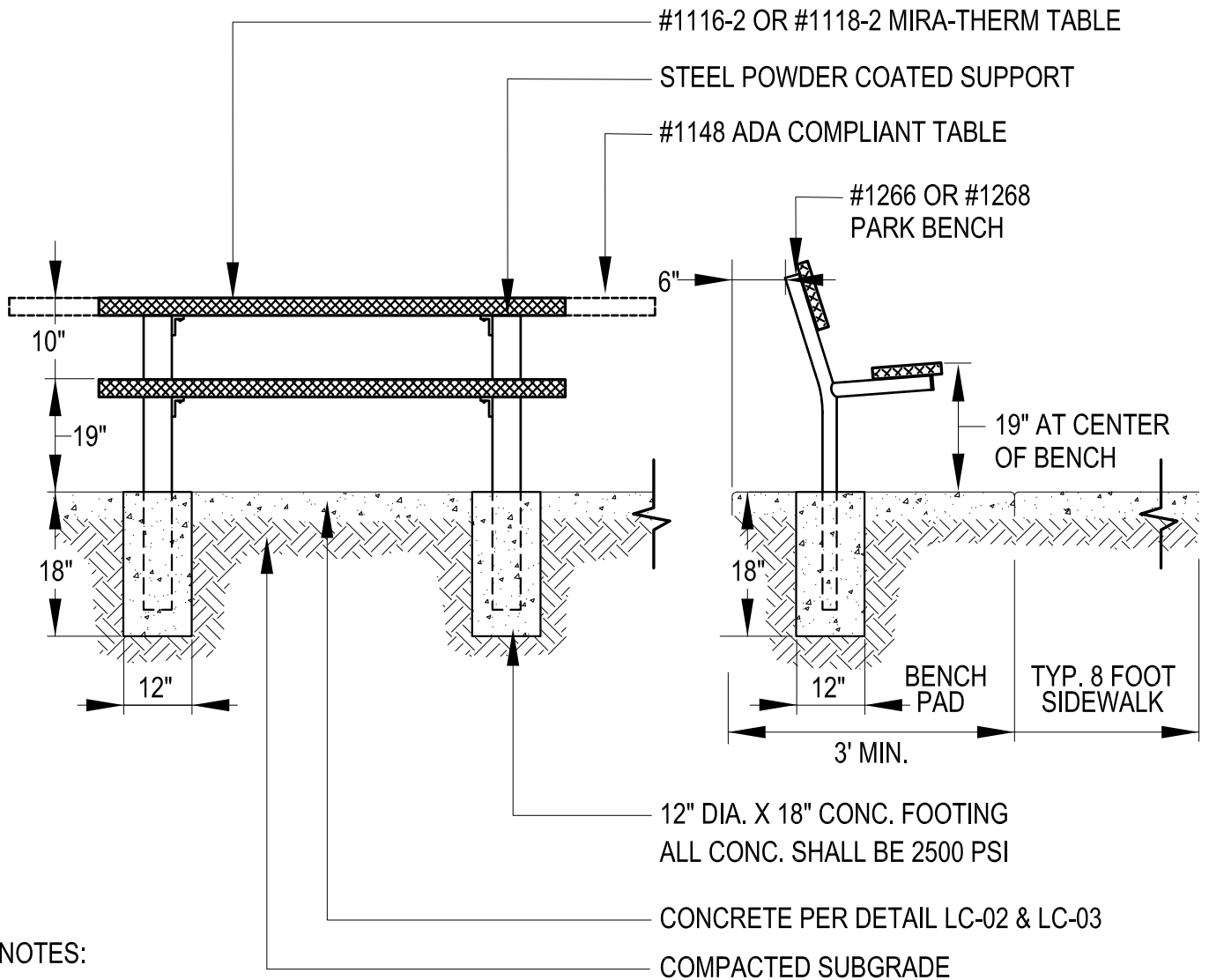


MIRA-THERM BENCH/TABLE



NOTES:

CONTACT MIRACLE RECREATION @ (800) 264-7225

ALL TABLES AND BENCHES MUST HAVE A CONCRETE PAD 4" THICK PER CONCRETE DETAIL LC-02

ALL TABLES AND BENCHES SHALL BE FOOTING MOUNT

ALL BENCHES AND TABLES SHALL BE INSTALLED LEVEL AND PLUMB TO GRADE

ALL TABLES SHALL HAVE A CONCRETE PAD WITH A MIN. OF 36" CLEAR PATH OF CONCRETE AROUND ALL SIDES

LD Consulting 2012 (Any deviation or reproduction of this design must be approved in writing by Valley-Wide Recreation & Park District)



VALLEY-WIDE RECREATION & PARK DISTRICT

PARK BENCH AND TABLE

LC-28

REV. 2012